

Light Box Bag

Moda Toweling is such a versatile fabric. It is 100% cotton and comes in 16" and 18" wide with the long edges hemmed.

My Light Box is slimline and has a detachable plug and transformer. These need storing separately from the light box so it doesn't scratch the surface.

This bag has an expanding pocket on the outside and a flap that comes up and over the top of the bag to stop both the light box and charger from slipping out. Quilted with thick batting it will protect your light box from bumps and scrapes.

I have included cutting instructions for slimline light boxes of 3 different sizes. The instructions are the same for each.

Strips are cut across the width of the fabric.

Use a walking foot when sewing toweling.

Requirements	Requirements	Requirements
A2 Size Bag	A3 Size Bag	A4 Size Bag
Toweling: 60"	Toweling: 45"	Toweling: 24"
Lining: 60"	Lining: 48"	Lining: 26"
Pocket & Handles: 22"	Pocket & Handles: 22"	Pocket & Handles: 22"
Binding: 8"	Binding: 6"	Binding: 6"
Flap: 8"	Flap: 8"	Flap: 8"
Thick batting: 44"	Thick batting: 26"	Thick batting: 26"
Fusible Batting: 4"	Fusible Batting: 4"	Fusible Batting: 4"
Fusible Interfacing: 20"	Fusible Interfacing: 20"	Fusible Interfacing: 20"
1 sew in magnetic clasp	1 sew in magnetic clasp	1 sew in magnetic clasp

Cutting Instructions - choose the right size for your light box.

Size of Lightbox	17 1/2" x 25 1/2" A2 Size	14" x 19" A3 Size	8 1/2" x 13 1/2" A4 Size
Finished Bag Size	19" x 27"	15" x 21"	10" x 15"
Toweling fabric cut:	21" x 29" (x2) unpick the hems	17" x 22" (x2)	17" x 22" (x1)
Lining fabric	30" x 42" (x1)	24" x 36" (x1)	18" x 24" (x1)
Thick batting (Soft n Stable)	30" x 42" (x1)	24" x 36" (x1)	18" x 24" (x1)
Charger Pocket cut:	11" x 14" (x1 from both fabric & fusible interfacing)	11" x 14" (x1 from both fabric & fusible interfacing)	11" x 14" (x1 from both fabric & fusible interfacing)
Binding cut:	2 1/2" strips (x3)	2 1/2" strips (x2)	2 1/2" strips (x2)
Closure Flap from toweling cut:	7 1/2" x 20" (x1 from both fabric and fusible interfacing)	7 1/2" x 20" (x1 from both fabric and fusible interfacing)	7 1/2" x 20" (x1 from both fabric and fusible interfacing)
Handles from toweling cut:	3" x 20" (x2)	3" x 20" (x2)	3" x 20" (x2)
Lightweight fusible batting cut:	2" x 20" (x2)	2" x 20" (x2)	2" x 20" (x2)

Sewing the Lightbox Bag

1. Sew the toweling rectangles together along the long side. This is not required for the A2 size.

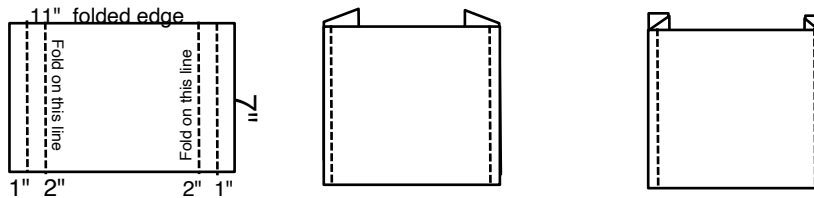
2. Layer the lining, thick batting and toweling so the right sides of the fabric are facing out. Quilt as desired. I quilted along the woven checks on the toweling.

3. Trim the quilted pieces to measure:

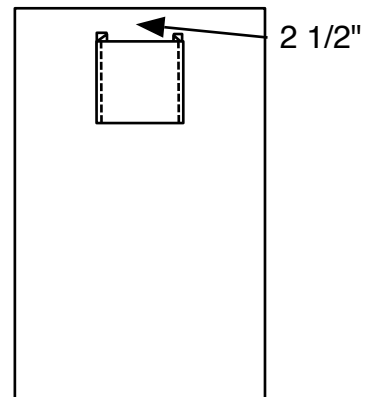
A2 - 27" x 38"
A3 - 21" x 30"
A4 - 15" x 20"

4. Fuse interfacing on the wrong side of the the expanding pocket and the flap. Fold the pocket, right sides together so the 11" sides meet. Sew around the 3 open edges with a 1/4" seam leaving a 3" opening for turning through. Turn right sides out and press the open edges under. Sew a line of stitching 1/4" from the folded top edge of the pocket.

5. Measure along the 11" base edge of the pocket and mark a point at 1" and 2" from the sides at both ends of the pocket. Fold the pocket at both 2" marks, and stitch along the fold 1/8" from the edge.



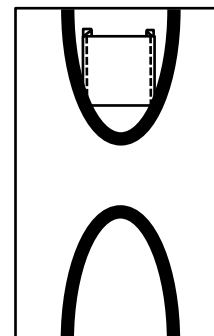
6. Fold the seamed ends of the pocket back at the 1" marks to create a pleat on each side. Press well. Place the pocket in the centre of the right side of the bag, with the top folded edge of the pocket 2 1/2" down from the top edge. Pin the sides of the pocket in place and stitch with 2 rows of stitching 1/4" apart.



7. Re-press the pleat and carefully sew along the base edge of the pocket, starting and finishing with a backstitch.

8. Fuse the fusible batting to the centre of the wrong sides of the handles. Fold the long edges of the handles over the edges of the interfacing then fold the handles in half so the long edges meet. Stitch down both long sides of the handles.

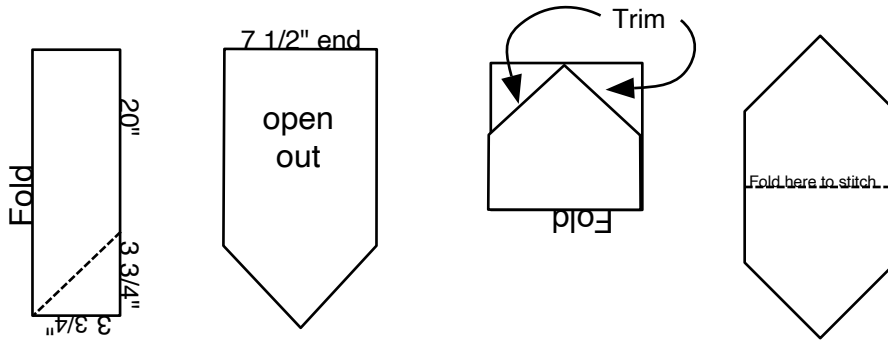
9. Place the handles on the right side of the bag so the raw ends line up with the top edges of the bag on both sides. The inside edge of the handles will be 1" past the sides of the pocket. Match the handles on the other end of the bag to the placement of the handles on the pocket end.



10. Sew the ends of the handles in place.

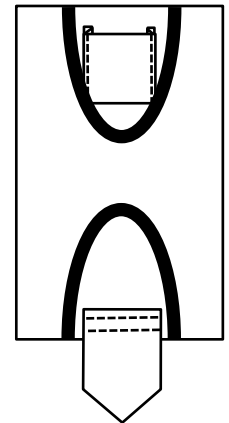
11. Using one strip of binding, bind both top edges of the bag, covering the ends of the handles as you go. Fold the binding over to the lining side and hand or machine sew in place.

12. Fold the flap in half so the long sides meet. Trim as shown in the diagram. Use this end as a template to cut the other end exactly the same.



13. Fold the flap, right sides together so the pointed ends match. Sew around the open sides, with 1/4" seam, leaving a 3" gap for turning through. Turn the right way out and press the open edges under. Sew around the edge of the flap 1/8" from the edge, closing up the opening as you sew.

14. Position the folded, straight end of the flap 2" down from the top edge of the bag, at the opposite end to the pocket. Sew in place along the folded edge and 1/2" from the fold.



15. Fold the bag in half, lining sides together, so the bound edges meet. Sew down the sides of the bag with a 1/4" seam. Bind the remaining two edges of the bag.

16. Sew a magnetic clasp on the flap and the pocket so they match up.



YouTube
Pieces to Treasure

For sewing with toweling tips, visit my YouTube channel.
For patterns and ideas to embellish this projects visit my website.



Website
Pieces to Treasure



For more ideas using Moda Toweling follow me on Instagram @piecestotreasure